

Elks

*FIVE GOAL &
GRID GOAL COMPETITION*



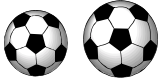
**On – Line
Soccer Shoot[®]
Manual**

On-Line Manual Prepared By

THOMAS TOBIN, PER, NORWOOD #1124
CO DIRECTOR MASSACHUSETTS SOCCER SHOOT PROGRAM

Changes to the Program from last year

- The U-8 (7 years old & Under) age group is now only sanctioned for Lodge (local) competitions it is considered an instructional group



The soccer ball used will be an FIFA approved ball as Follows:



Number Four (4) balls will be used for the following Groups

- Age 7 and Under [U – 8] (Instructional Group) 1
- Age 8 and 9 [U- 10]
- Ages 10 & 11 [U-12] will use a



Number Five (5) balls will be used for the Ages 12 &13 [U-14] Group

INDEX

TITLE	PAGE
Acknowledgement Foreword _____	2
Liability Insurance _____	3
Program Schedule _____	4
General Contest Rules _____	4-5
Five-Goal Contest Rules _____	7-8
Judges - Five-Goal Contest _____	8
Five-Goal Goal Specs _____	9
Grid Goal Contest Rules _____	10-12
Judges – Grid Goal Contest _____	13
Rope Grid Goal _____	13
Grid Goal - Goal Specs _____	14
Suggestions _____	15
 Appendices	
Contestant Registration (5-Goal Contest) _____	A-1&2
Contestant Registration (Grid Goal Contest) _____	B-1&2
Contest Event Report _____	C
Competition Form - Boys/Girls _____	D



- ACKNOWLEDGEMENTS -

The Order and the Elks National Soccer Shoot Program express our sincere gratitude to those visionary Elks and Soccer enthusiasts from Connecticut, New Jersey, Arizona, Wisconsin and elsewhere, who foresaw in this activity a positive and enjoyable way for the Order to benefit young Americans. We also wish to thank **Thomas F. Tobin** of Norwood, Massachusetts Lodge No. 1124 for his assistance in the preparation of this On – Line Manual, dedicated to promoting the health and happiness of America's Youth, a very special group of people for whom **“ELKS CARE - ELKS SHARE”** with great feeling.

- FORWARD -

SOCCER - The world's favorite sport now is the United States' fastest growing children's participatory activity. As early as the 1980's, Lodges of the B.P.O. Elks began to recognize this phenomenon and support it with league sponsorships as well as developing different skill contests. The Grand Lodge Youth Activities Committee discussed the sport of soccer on many occasions as two of these contests grew to prominent status.

In October 1997, a Grand Lodge Youth Activities Subcommittee met in Chicago to discuss the various programs and to develop a Grand Lodge Program. After a concentrated session, where many viewpoints were expressed and many arguments presented, the Committee agreed upon a two-stage contest that best represented the skill levels of four age groups: 7 and Under (U-8), 8-9(U,10), 10-11(U-12), and 12-13(U-14).

The "Five-Goal Contest" with its succession of smaller target goals lets younger participants (U-8 & U-10) build their confidence as they move down the line. It matches both physical and skill abilities to the challenge they present.

The "Grid Goal Contest" uses the penalty kick distance and an eighteen-inch kickboard height to challenge the older participants (U-12 & U-14) to lift the ball from the field while aiming it for score, thus developing advanced skills.

The Contests are designed to be run either indoors or outdoors depending on location, weather or climate. It is suggested that close cooperation with the local soccer associations will insure growth in the participation in this Youth Activity by involving the community with our program.

Finally, remember that the running of all the Youth Activities programs has common goals of keeping children occupied with positive, character-building role models and activities, providing alternatives to drug use, and simply having fun.

Remember:

“SOCCER – IT’S A KICK!”

ELKS SOCCER SHOOT[®]

LIABILITY INSURANCE

What should the Lodge do if the owner of the property where an Elks Soccer Shoot is being held requires proof of Liability Insurance? Call the administrators of the Elks Insurance Programs,
MARSH, INC. at **1-800-421-3557**.

Marsh will issue a Certificate of Liability Insurance that will satisfy the property owner's requirements.

When you contact Marsh, they will first ask for your Lodge number. The purpose is to connect you with the correct Marsh team member.

Marsh, Inc. requires the following information:

- Date of the Soccer Shoot
- Location of the Soccer Shoot Name of the Property Owner
- Name of the Certificate Holder, i.e., School District, City, etc.
- Does the Certificate Holder need to be named as Additional Insured?

The Benevolent and Protective Order of Elks General Liability Policy, issued by National Surety Corporation, provides General Liability Insurance for Elks activities on or away from owned or leased premises. This policy will respond to Bodily Injury and/or Property Damage, subject to the policy terms and conditions.

The Master Liability Insurance Program includes as named insured the Grand Lodge, State Associations (with the exception of major projects) and all Subordinate Lodges of the Order.

The process of issuing a Liability Insurance Certificate is simple, however, Marsh would appreciate your calling at least ten (10) days prior to the event to ensure sufficient Filing time.

ELKS SOCCER SHOOT[®]

2002 – 2003 PROGRAM SCHEDULE

Lodge Shoot – Prior to September 29th
District Shoot District Shoot –
State Shoot –
Regional Shoot –
National Winners by Compilation of Regional Scores

GENERAL CONTEST RULES

1. There shall be four (4) age groups:
 - **Juniors (FIVE GOAL)** will be comprised of the Boy's and a Girl's Divisions in each of the following Age Groups:
 - Age 7 and Under [U – 8] (Instructional Group)¹
 - Age 8 and 9 [U- 10]
 - The **Seniors (GRID)**.will be comprised of the Boy's and a Girl's Divisions in each of the following Age Groups:
 - Age 10 and 11 [U- 12]
 - Age 12 and 13 [U-14]
2. Age is determined by the age of the Contestants as of August 1st, the year the contest is held.

The 2002 – 2003 AGE CHART IS AS FOLLOWS:

7 & UNDER (U-8) (Lodge Option) August 1, 1994 to Present

8 & 9 (U-10) August 1, 1992 to July 31, 1994

10 & 11 (U-12) August 1, 1990 to July 31, 1992

12 & 13 (U-14) August 1, 1988 to July 31, 1990

3. The local Lodge Director must verify age by birth or baptismal certificate or by passport to ensure that the contestant competes in the proper age group. This will eliminate any disappointment that might arise as a result of a technical error.
4. A contestant may enter only one local Lodge contest in any given year.
5. The Contest Director will set the date, time and place for the contest, and notify all contestants of the same. Contestants must be present and ready to compete at the designated time.

(4)

¹ The U-8 (7 years old & Under) age group is only sanctioned as an instructional group it is a Lodge option for local Lodge competition.

ELKS SOCCER SHOOT[®]

GENERAL CONTEST RULES CONTINUED

6. Local Lodge contests may be structured in cooperation with local soccer programs so that participants can compete at predetermined times. The time for the local Lodge "finals" if needed, will be posted and those invited to compete in the "finals" must be present and ready to compete at the designated time.
 7. The contest can be held outdoors on a field or indoors in a gym or other suitable area.
 8. No equipment is necessary other than a jersey or shirt, shorts or pants, socks and appropriate footwear (indoor or outdoor). Shinguards and protective gear are not necessary, but may be worn if desired.
 9. No article of clothing that displays words, slogans or images that are in poor taste for a youth athletic activity shall be permitted. The Director's decision in enforcing this rule shall be final.
 10. Any contestants conducting themselves in an inappropriate or unsportsman-like manner or failing to obey the instructions given by the officials will be disqualified.
 11. Contestants who are waiting their turn must not interfere with the contestant who is shooting in any way. All other persons should stay at least ten (10) yards behind the contestant who is shooting. At indoor contests or some outdoor contests where ten (10) yards is not possible, a distance determined by the Director will establish a clearly identified waiting area. No one should be allowed to distract the contestants in any way during the contest. The Director may stop the contest and clear the area if anything interferes with play.
 12. The Director shall have the authority to restrict the number of photographers around the immediate contest area and to restrict where they may position themselves. Flash photography is not permitted at any time while the contest is in progress. The Director may orchestrate a staged photo opportunity where flash photos will be permitted.
 13. The 1st place winners at each level of contest are eligible to advance to the next level. If the 1st place winner in any age group is unable to attend, the next highest scorer shall be eligible.
 14. ALL DECISIONS BY THE DIRECTOR AND CONTEST OFFICIALS ARE FINAL AND NO SPECTATOR OR OTHER PERSON WILL BE PERMITTED TO ARGUE OR INFLUENCE AN OFFICIALS DECISION IN ANY WAY.
- **Contest Tabulators - TWO or THREE:**
The competition Director will appoint two or three volunteers to tabulate all Soccer Shoot[®] Registration and Score Sheets. They will make sure each form is filled out correctly and then tabulate the scores to file out the winners. They will post the winners in each division for boys and girls. The Tabulators will also produce for the Soccer Shoot[®] Director a list of the winners for each division. No scores will be given out to competitors until the competition is over.

ELKS SOCCER SHOOT®

**FIVE GOAL
CONTEST**

ELKS SOCCER SHOOT[®]

5-GOAL CONTEST RULES

Ages 7 & Under [U-8] and Ages 8 & 9 [U-10]

1. Contestants may only shoot for score once unless involved in a tiebreaker.
2. No contestant may shoot before or after the designated time. Disqualification will result.
3. The order of shooting will be determined by a drawing, after all are properly registered. Only Lodge Shoots may have the option of customizing the shooting order according to local conditions.

4. The goals and scores are as follows:

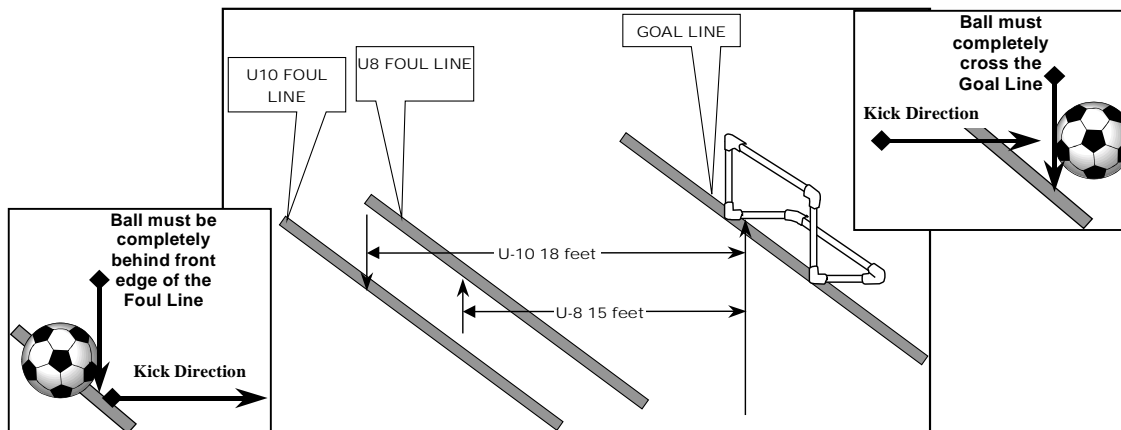
48 inch goal	1 point per successful goal
40 inch goal	2 points per successful goal
34 inch goal	3 points per successful goal
26 inch goal	4 points per successful goal
17 inch goal	5 points per successful goal

5. A goal is scored when the whole of the ball has passed over the entire goal line, between the goal posts at-id below the upper crossbar. The decision of the judges is final.
6. The soccer ball will be a FIFA approved, Number Four-(4) ball, inflated between 8.5 to 10 lbs. pressure at the start of the contest.
7. There shall be one goal judge, one line judge, and one scoring judge per contestant shooting.
8. There shall also be thee tabulators, who are located in a secure area. The tabulators shall calculate the official score.
9. Contestants will start at the 48" goal and will advance to each successive smaller goal. When a contestant reaches the third goal the next contestant may begin.
10. The line judge will place the ball on a line fifteen (15) feet from the goal line for 7 and Under (U-8) contestants. The 8 and 9 (U-10) contestants will kick front a tine eighteen (18) feet from the goal line. The contestant may adjust the ball along the foul line by using the foot only. The Line judge will confirm that the ball is still legally placed. The ball shall be deemed in play as soon as it is kicked forward and cannot be kicked a second time.
11. Each contestant will be permitted one (1) warm-up kick at each goat. They will then kick three (3) shots for score at each of the five different sized goals in sequence from 48" down to the 17" goal. The contest officials will notify each contestant when scoring begins. A total of forty-five (45) points is possible.
12. Ties will be broken by taking five (5) additional shots in the same contestant order as the regular contest. The 17" goal will be used. If still tied, this procedure will be repeated until award winners are decided.

ELKS SOCCER SHOOT[®]

5-GOAL CONTEST RULES (CONTINUED)

Ages 7 & Under [U-8] and Ages 8 & 9 [U-10]



- A goal line should be laid down and each goal should be placed on the goal line. Each goal should be a minimum of 4 feet apart. A forty foot-square area is the minimum area that you can work in.
- In order to expedite the contest, it is recommended that a minimum set of five goals be used for competitions.

OFFICIALS / JUDGES - 5-GOAL CONTEST

Volunteers will be needed for the following:

- **Goal judges - TWO:**

The Goal judges will indicate a goal by raising their hands above their head after the ball completely crosses the goal line or indicate a missed goal by pointing at the grout-id.

- **Line judge - ONE:**

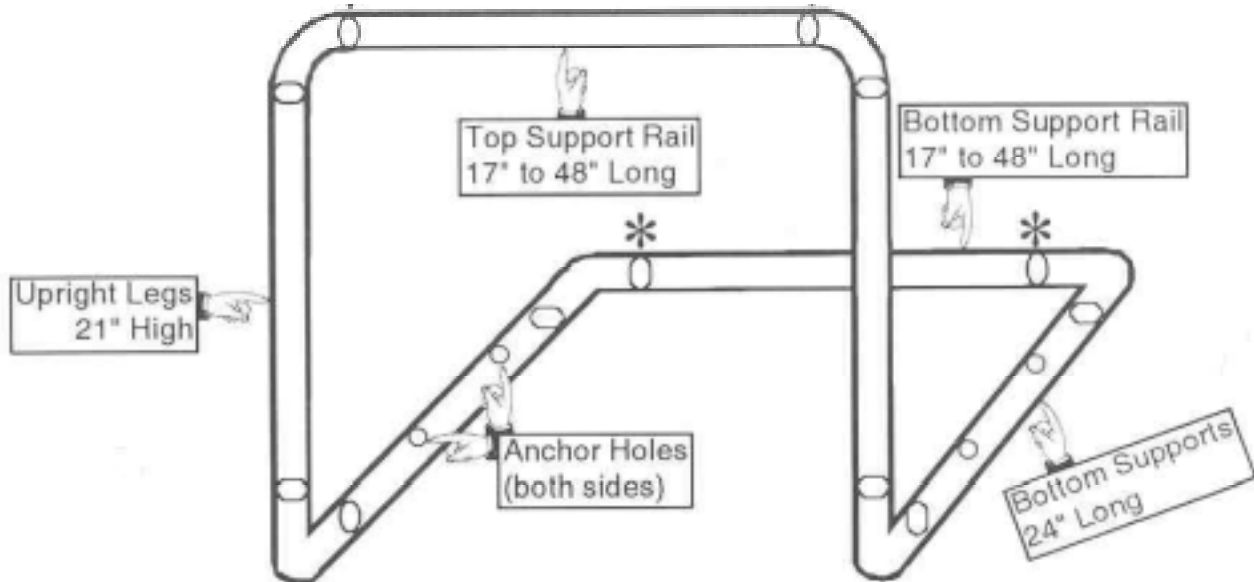
The Line judge will determine that the ball was kicked from a location completely behind the foul line. The Line judge will notify each competitor prior to their last shot in each set that this is the last shot.

- **Scoring judges - ONE to THREE:**

The Scoring judge(s) will maintain the Contestant Registration Form and Score Sheet for all contestants that they are responsible for. The Scoring judge(s) will move from goal to goal with the contestant. The Scoring judge(s) will mark goal attempts with either an X for a successful goal or a dash for all unsuccessful goal, only after the Line judge has indicated if the attempt was successful or unsuccessful. The Scoring judge(s) should not tabulate the competitors' scores. Upon completion of an individual's competition, the score shall be turned over the Tabulators.

ELKS SOCCER SHOOT[®]

Ground View of 5-Goal Soccer Shoot[®] Goal



*** UNGLUED JOINTS**

Free-Standing Goal Parts List:

Quan	Description
2	48" top & bottom rails
2	40" top & bottom rails
2	34" top & bottom rails
2	26" top & bottom rails
2	17" top & bottom rails
10	21" upright legs.
10	24" bottom supports
30	90-degree elbows
20	anchors (spikes/tent pegs)
	PVC Pipe Glue

(See also Alternate Goal Equipment Attachment for standard Soccer Goal on following pages.)

Each goal should be constructed using 1 ½ -inch (ID) Heavy Duty Schedule 40-PVC Tubing and Elbows. This size provides adequate strength and allows for flexibility. You will need 65 feet of the PVC pipe for 5 goals. All corners use 90-degree Elbows. Drill holes in the bottom supports large enough to accommodate the spikes so the goal can be firmly anchored to prevent movement or overturning. The pieces will fit together quite snugly. However, you may wish to glue a few of the connections for added stability* Leaving some of the couplings unglued allows for size changes and for easy takedown, transport and storage.

ELKS SOCCER SHOOT®

**GRID GOAL
CONTEST**

ELKS SOCCER SHOOT[®]

GRID GOAL CONTEST RULES

Ages 10 & 11 [U-12] and Ages 12 &13 [U-14]

1. Contestants may only shoot for score once, unless involved in a tiebreaker.
2. No contestant may shoot before or after the designated time. Disqualification will result.
3. The order of shooting will be determined by a drawing after all contestants are properly registered. Lodge Shoots may have the option to customize the shooting order according to local conditions.

4. **The goals and scores are as follows:**

- a. Center Bottom 1 point per successful shot
- b. End Bottoms 2 points per successful shot
- c. Center Top 3 points per successful shot
- d. End Tops 5 points per successful Shot

Goal		
d.	c.	d.
b.	a.	b.

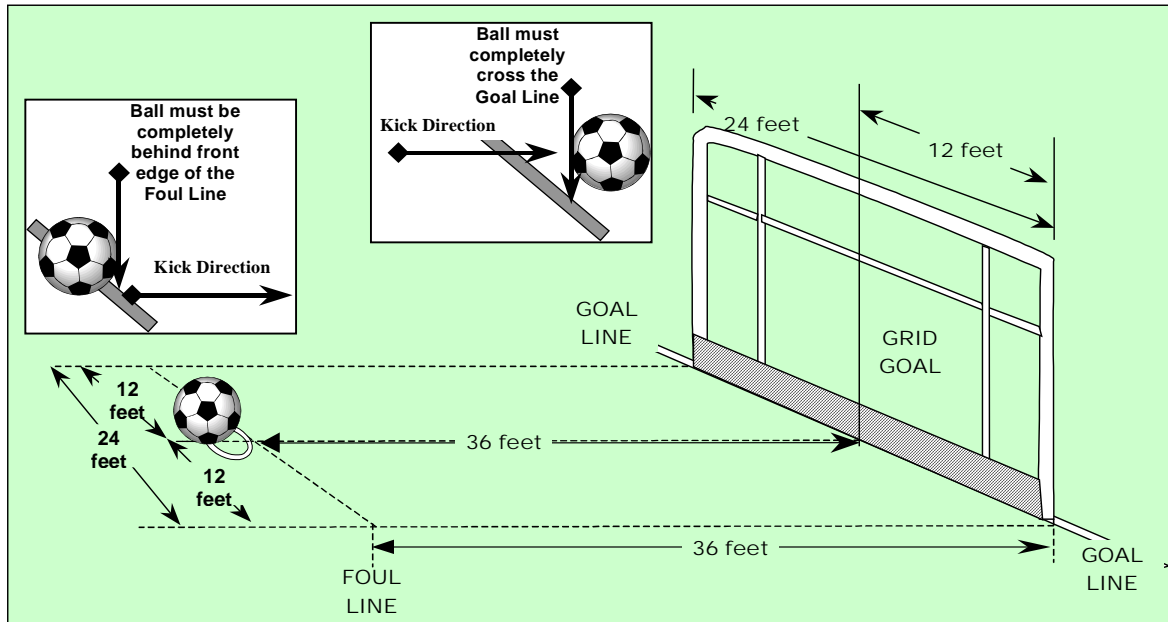
5. A goal is scored when the whole of the ball has passed through the entire grid opening. If the ball hits a grid post and enters the net, the kick is good. If the ball hits a grid post or bottom barrier and bounces back from the grid opening, it is a missed ball. The decision of the judges is final.
- 3) The soccer ball used will be an FIFA approved ball:
 - a) Ages 10 & 11 [U-12] will use a Number Four (4) ball
 - b) Ages 12 &13 [U-14] will use a Number Five (5) ball,
 - c) Balls are to inflated to 8.5 to 10 tbs. pressure at the start of the contest.
- 4) There shall be two Goal judges, one Line judge and one to three Scoring judges.
- 5) The Line judge will place the ball on a spot thirty-six (36) feet from the goal line. The ball shall be deemed in play as soon as it is kicked forward and can not be kicked a second time.
- 6) Each contestant will be permitted three (3) warm-up kicks at the grid. They will then kick fifteen (15) goals for score. The contest officials will notify each contestant when scoring begins. A maximum total of seventy-five (75) points is possible.
- 7) Ties will be broken by taking five (5) additional shots in the same order as the regular contest. If still tied, this procedure will be repeated until award winners are decided.
- 8) The Line judge will place the ball on a spot thirty-six (36) feet from the goal line. The ball shall be deemed in play as soon as it is kicked forward and can not be kicked a second time.



ELKS SOCCER SHOOT[®]

GRID GOAL CONTEST RULES (CONTINUED)

Ages 10 & 11 [U-12] and Ages 12 &13 [U-14]



- 9) Each contestant will be permitted three (3) warm-up kicks at the grid. They will then kick fifteen (15) shots for score. The contest officials will notify each contestant when scoring begins. A maximum total of seventy-five (75) points is possible.
- 10) Ties will be broken by taking five (5) additional shots in the same order as the regular contest. If still tied, this procedure will be repeated until award winners are decided.
- 11) The 1st place winners in each contest level of are eligible to advance to the next level. If the 1st place winners is unable to attend, the next-highest scorer shall be eligible.
- 12) The Line judge will place the ball on a spot thirty-six (36) feet from the goal line. The ball shall be deemed in play as soon as it is kicked forward and can not be kicked a second time.

ELKS SOCCER SHOOT[®]

OFFICIALS / JUDGES - GRID GOAL CONTEST

Volunteers will be needed for the following:

- **Ball Retrievers - TWO:** The Ball Retrievers will control all balls that miss the goal and return all balls to the Line judge after the contestant has completed the round of kicks.
- **Goal judges - TWO:** The Goal Judges will take up positions at opposite sides of the Grid Goal and immediately after the kick has been completed advise the Scoring judge(s) of the Point Value earned for that kick. If necessary, the Goal judges may confer before announcing the point value so as to reach a unanimous decision in the event of a kick whose path is not clearly seen by one of the judges.
- **Line Judge - ONE:** The Line judge will determine that the ball was kicked from the penalty point. If the ball rolls off the penalty point before the kicker advances toward the ball, the Line judge will re-set the ball on the penalty point. If the kicker kicks the ball, it is a counted kick.
- **Scoring judges - ONE to THREE:** The Scoring judge(s) will maintain the Contestant Registration and Score Sheets for all contestants that they are responsible for. The Scoring judge(s) will mark goal attempts with the goal value for each kick taken. The Scoring judge(s) will tabulate the competitor's individual shots. They will insure that each form is filled out correctly and attest to the shot scores. They may tabulate the scores to establish the winners however separate Tabulator(s) are recommended.

GOAL SPECIFICATIONS

ROPE GRID GOAL

A grid goal made from rope is an economical arrangement that has accepted for the Elks Soccer Shoot[®] Lodge and District level competitions.

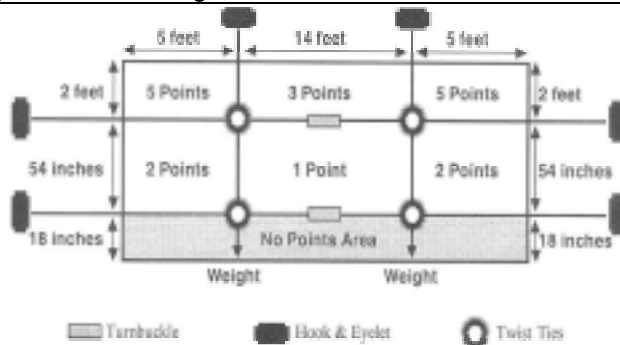
Obtain the following parts:

Quan	Description	Quan	Description
75 feet	Yellow 3/8-inch rope	6	Hooks with Eyelet attached
2	10- or 12-inch Turnbuckles for the horizontal sections	2	Weights (for the bottom of the parallel ropes, will help keep the rope straight)

Total Estimated Cost = \$40-00

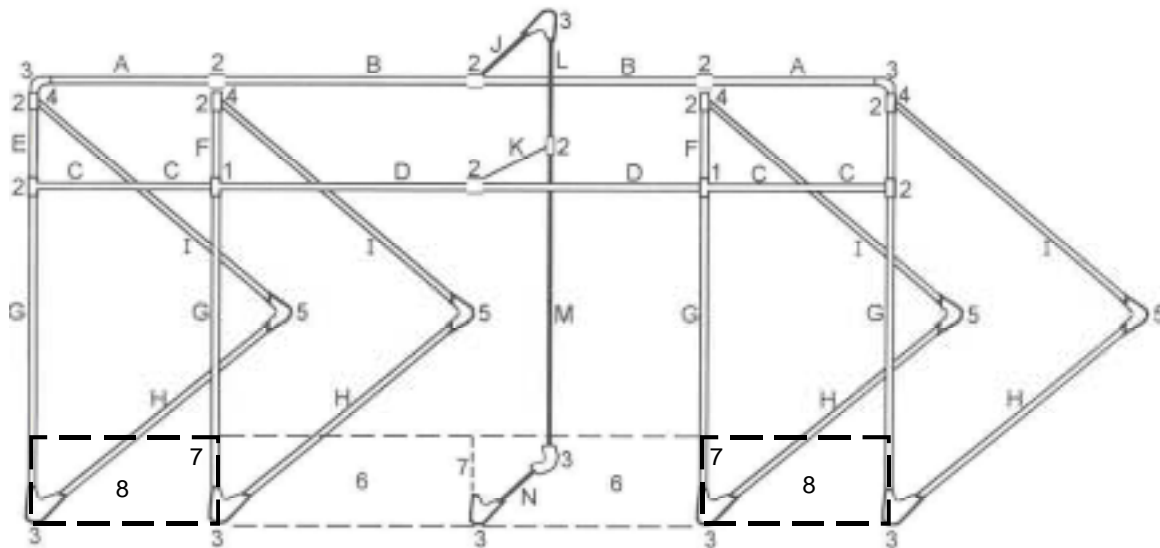
Wrap the hooks around the goal pole at the sides at-id tighten turnbuckles. Swing the vertical rope over the top goal bar and hook. Attach weights at lower ends of vertical ropes.

A piece of plastic, paneling, weather fencing or other barrier should be secured across the bottom section.



ELKS SOCCER SHOOT[®]

GRID GOAL SPECIFICATIONS



FREE STANDING GRID GOAL

(Use 1 1/2-inch Bristol Pipe PVC 330 PSI for Parts A-N)

Part	Total	Length	Specifies
A	2	4 feet 8 7/8 inches	
B	2	6 feet 9 1/4 inches	
C	2	4 feet 8 3/4 inches	
D	2	6 feet 9 inches	
E	2	1 foot 6 1/8 inches	
F	2	1 foot 6 1/4 inches	
G	4	5 feet 8 7/8 inches	
H	4	7 feet 4 1/2 inches	
I	4	10 feet 3 inches	
J	1	1 foot 8 5/8 inches	Black
K	1	1 foot 8 3/4 inches	Black
L	1	1 foot 8 7/8 inches	Black
M	1	5 feet 8 7/8 inches	Black
N	1	1 foot 8 1/2 inches	Black
1	2	4 way tees — 1 1/2-inch	
2	11	3 way tees — 1 1/2-inch	
3	9	90-degree elbows — 1 1/2-inch	
4	4	45-degree elbows — 1 1/2-inch	
5	4	"Y" branches — 1 1/2-inch	
6	2	7 feet x 18 inches panel	3/8-inch plywood
7	3	12 inches x 18 inches panel	3/8-inch plywood — brace
8	2	5 feet x 18 inch panel	3/8 inch plywood
	12	2 inch	carrage blots and wingnuts

ELKS SOCCER SHOOT[®]

SUGGESTIONS:

COMPETITION LOGISTICS

FIVE GOAL COMPETITION:

- **BALLS** - Ideally, a minimum of three (3) balls should be used and all three kicks should be taken before any balls are returned to the shooter. This will save time and shorten the waiting time before the next contestant's attempt.
- **GOALS** - In order to expedite the contest, it is recommended that a minimum set of five goals be used for competitions.
- **FIELD LAYOUT** - Goal and Foul Lines should, be laid down.
 - Each goal should be a minimum of 4 feet apart. A forty foot-square area is the minimum area that you should work within.

GRID GOAL COMPETITION:

- **BALLS** - It is suggested that fifteen (15) balls be on hand to run the contest smoothly. This allows for the contestants to kick at their own rhythm without interference from returning balls.

Field

LAWN MOWER AND RAKE:

It is recommended that the Soccer Shoot' area be mowed and raked prior to the Contest. Generally, the Soccer Shoot' is held on the side of a field and the grounds care may not be as smooth as the playing field.

FOUL LINE MARKING:

The foul line is best marked with a product similar to the spray paint that is used to mark utility lines in the grass or black top, i.e., Power Paint Cartridge. Fluorescent colors work-best. If such a product is unavailable, fluorescent tape such as that used in construction also works.

ADDITIONAL EQUIPMENT

- Pressure Gauge, Inflation Needle & Pump
- 50 foot measuring tape
- Tables, chairs
- A separate bleacher / sitting area for spectators is recommended.

Press Releases:

A large part of the Soccer Shoot[®] program is to permit the kids to have fun. As such, it is necessary to let the community know that the Elks Soccer Shoot' exists. Press Releases and Purchased Advertising (samples available from your Regional Director) will permit your Lodge not only to hold a successful Soccer Shoot' but to share your news with the community. (15)

ELKS SOCCER SHOOT®

APPENDIX

RELEASE

ALL PARTICIPANTS MUST READ AND SIGN

ELKS SOCCER SHOOT® REGISTRATION APPLICATION AND CONDITIONS

The undersigned, parent/guardian of the below-named contestant, hereby requests applicant's registration in the B.P.O. Elks "Soccer Shoot®" and represents the information set forth in the Application is correct. In consideration of such registration and the right of applicant to participate in the competition, the undersigned does hereby acknowledge and agree that such participation will be solely at the risk of applicant, the undersigned, and without liability to the Benevolent and Protective Order of Elks of the United States of America, its State Associations, its Subordinate Lodges and the officers and members of them (hereinafter collectively referred to as "BPOE"). The undersigned, for himself, his personal representatives and successors, does hereby release and forever discharge BPOE from any and all claims, demands, liabilities, obligations, damages, costs, expenses, loss of service, actions and causes of action including each and every right of payment for damages said undersigned may now or hereafter have against BPOE arising out of any act or occurrence incident to the applicant's said participation and/or the engagement of the undersigned in connection therewith. The undersigned hereby gives consent and authorizes BPOE to use and reproduce, without compensation, applicant's name and/or likeness and to circulate the same for any and all purposes reasonably related to the conduct and promotion of the said competition, and the undersigned does hereby agree to indemnify and hold BPOE harmless from any and all claims, loss or damage to the BPOE resulting from or related to applicant's said participation.

(Signature of Contestant)

(Signature of Parent or Guardian)

NOTE: All entrants are requested to contact their school principal or coach to determine if any restriction or eligibility requirements exist in their state.

Elks Soccer Shoot[®]

Contestant Registration Form and Score Sheet: Grid Goal Contest: U-12 & U-14

Note: Parent/Guardian Authorization Form on Reverse Side Must Be Read and Signed Before Contestant Can Participate In Competition!

Event Location: _____	Date: _____
Sponsoring Lodge: _____	No: _____

(Circle One In each category)

BOYS			GIRLS			Division	Age Group
Lodge	District	State	Regional	National		Division U-12	10 & 11
						Division U-14	12 & 13

PLEASE PRINT	Name: _____
	Address: _____
	City: _____ State: _____ ZIP: _____
	Telephone: _____
	Parent Name: _____

Date of Birth
Age as of August 1
Division

CONTESTANT: DO NOT WRITE BELOW THIS LINE (For Official Use Only!)

Indicate Actual Number of Points Scored for Each Shot	TOTAL SCORE															
<table style="width:100%; border-collapse: collapse;"> <tr> <td>SHOT 1) _____</td> <td>SHOT 6) _____</td> <td>SHOT 11) _____</td> </tr> <tr> <td>SHOT 2) _____</td> <td>SHOT 7) _____</td> <td>SHOT 12) _____</td> </tr> <tr> <td>SHOT 3) _____</td> <td>SHOT 8) _____</td> <td>SHOT 13) _____</td> </tr> <tr> <td>SHOT 4) _____</td> <td>SHOT 9) _____</td> <td>SHOT 14) _____</td> </tr> <tr> <td>SHOT 5) _____</td> <td>SHOT10) _____</td> <td>SHOT 15) _____</td> </tr> </table>	SHOT 1) _____	SHOT 6) _____	SHOT 11) _____	SHOT 2) _____	SHOT 7) _____	SHOT 12) _____	SHOT 3) _____	SHOT 8) _____	SHOT 13) _____	SHOT 4) _____	SHOT 9) _____	SHOT 14) _____	SHOT 5) _____	SHOT10) _____	SHOT 15) _____	
SHOT 1) _____	SHOT 6) _____	SHOT 11) _____														
SHOT 2) _____	SHOT 7) _____	SHOT 12) _____														
SHOT 3) _____	SHOT 8) _____	SHOT 13) _____														
SHOT 4) _____	SHOT 9) _____	SHOT 14) _____														
SHOT 5) _____	SHOT10) _____	SHOT 15) _____														

Tie Breaker Section						
Indicate Actual Number of Points Scored for Each Shot					Total per Tie Breaker Set	
Tie Breaker 1	SHOT 1)	SHOT 2)	SHOT 3)	SHOT 4)	SHOT 5)	
Tie Breaker 2	SHOT 1)	SHOT 2)	SHOT 3)	SHOT 4)	SHOT 5)	
Tie Breaker 3	SHOT 1)	SHOT 2)	SHOT 3)	SHOT 4)	SHOT 5)	
Tie Breaker 4	SHOT 1)	SHOT 2)	SHOT 3)	SHOT 4)	SHOT 5)	
Tie Breaker 5	SHOT 1)	SHOT 2)	SHOT 3)	SHOT 4)	SHOT 5)	
TOTAL TIE BREAKER SCORE						



Elks Soccer Shoot[®]

CONTEST EVENT REPORT

No later than 5 days after your Elks Soccer Shoot[®] contest has taken place, complete this Contest Event Report and two **COMPETITION FORMS** (for **BOY** and **GIRL WINNERS**) and forward to the Director of the next level of competition

COMPETITION DATE				
Report for	LODGE	DISTRICT	STATE	REGIONAL
	<i>(Circle One)</i>			

Lodge District State:	No.
Competition Director:	Telephone:
Address:	City: State ZIP
Competition Location:	

Attendance:
This information is vital to the Program's future Please Report Completely

Parents & Family	Additional Spectators		Volunteers		Contestants								
	Elks	Non-Elks	Elks	Non-Elks	U-8		U-10		U-12		U-14		
					Girls	Boys	Girls	Boys	Girls	Boys	Girls	Boys	

Description	Total Expenses	Total Contributions	Total Income	
Competition				Elk volunteer hours
Advertising / Costs				Non Elk volunteer hours
Awards / Prizes / Certificates				Elk volunteer miles
Lodging				Non Elk volunteer miles
Meals / Snacks etc.				Attach additional support as required
Admin-supplies, copies, postage etc.				
Miscellaneous				
Total				

Elks Soccer Shoot[®]

COMPETITION FORM –BOYS / GIRLS:

Please let us know who will compete as your representative at the next level

Complete and return not later than 5 days after your Elks Soccer Shoot[®] contest to the Director of the next level of competition:

This is the information needed to adequately prepare for the next level of competition

Sponsoring Lodge:	No:
--------------------------	------------

<i>(Circle One In each category)</i>			
GENDER GROUP		NEXT LEVEL OF COMPETITION	
BOYS	GIRLS	District	State
		Regional	National

Division U- 8	Ages 7 & Under			Total Number of Participants and Guests Attending Next Competition
Name:		Date of Birth:		
Address:		Telephone:		
City:	State:	ZIP:		
Parent Name:				

Division U- 10	Ages 8 & 9			Total Number of Participants and Guests Attending Next Competition
Name:		Date of Birth:		
Address:		Telephone:		
City:	State:	ZIP:		
Parent Name:				

Division U- 12	Ages 10 & 11			Total Number of Participants and Guests Attending Next Competition
Name:		Date of Birth:		
Address:		Telephone:		
City:	State:	ZIP:		
Parent Name:				

Division U- 14	Ages 12 & 13			Total Number of Participants and Guests Attending Next Competition
Name:		Date of Birth:		
Address:		Telephone:		
City:	State:	ZIP:		
Parent Name:				